
DESIGN & DEVELOPMENT OF WIRELESS SENSOR NETWORK BASED MONITORING SYSTEM TO MONITOR THE STRENGTH AND LIFETIME OF BRIDGES AND FLYOVERS

¹Rajeshwari S, ²V.Gladis Pushparathi, ³Sushmitha H B, ⁴Spoorthi H

¹Assistant Professor, Department of Information Science and Engineering

^{3,4}Department of Information Science and Engineering

^{1,3,4}Rajarajewswari College of Engineering, Bangalore, India

²Department of Computer Science and Engineering

Velammal Institute of Technology, Panchetti, Chennai

¹raji.rajeshwari10@gmail.com, ²gladispushparathi@gmail.com,

³sushchan678@gmail.com, ⁴spoorthiraj68@gmail.com

ABSTRACT: Bridge's tracking gadget is a crucial for bridge, flyover, and railway bridge safety diagnostics. The monitoring machine adopts a 3-level distributed structure Which consists of treasured server, clever acquisition node, and close by controller. Domains are distributed over the bridges, and one local controller manages all nodes. A 24-bit A / D conveyor to get high precision data. The proposed architecture has two characteristics as opposed to the conventional process. The node is by and large a clever tool based on a sturdy DSP processor. Field sensor signals are processed and compressed to the node in real time. Just IEEE802.11 wireless network sends out the processing results to the device. This process will ease substantial server load and decrease communication bandwidth calling. Second, 3 G Wireless community is used to provide ample bandwidth between controller and server for the real-time data transmission. This running monitoring system shows the system being proposed is steady and utilitarian

Keywords: Acquisition nodes, Central Server, Local Controller, Raspberry Pi.

I. Introduction about Flyovers & Bridges

Bridges and flyovers in many areas are important, and may encompass numerous tens of lots of bridges, used for many years to come back. Having a machine to screen the health of some bridges and to report while and where maintenance operations are required. This mission proposes the concept of wi-fi bridge tracking gadget, Radio frequency module is used for quick separation wi-fi community and global system for mobile are used for lengthy distance data communiqué. This generation can be dubbed Control maintenance based. When the time aspect

exceeds the threshold stage of any of these parameters, the communiqué device will notify the management center to take precautionary movement with the aid of providing an alarm. Bridge is one of the us of a's most vital transport infrastructures with lengthy rivers for social and monetary pastime. Bridge tracking machine offers us an illustration in actual time that we will quickly shop so many lives and also keep away from losses.

The Internet of Things is a community of body pc systems, motors, family machines and one-of-a-kind devices which can be embedded Hardware, programming, actuators , sensors and availability that lets in them to connect and adjust expertise. Getting doors open for the more trustworthy incorporation of the bodily global into PC-based totally systems, enhancing abilities, making economic profits and Small Human Effort.

II. Literature Survey

Ms.Arohi et al. [1] Proposed a system for remote monitoring and control developed within the Intelligent Infrastructure and Transport Technology Research Facility. Checking the country transport foundation using electro-mechanical sensors has been proposed for some time to complement the existing visual investigation system for scaffold condition assessment. Furthermore, the nature of the commodity radio convention is studied in addition to the impacts of field game plans including sensibly tremendous extension frameworks and adequate connection testing throughput rates.

Varsha Kusal et al. [2] Considered that bridges and flyovers are one of the pillars for human civilization which is provided as a protracted lifestyles cycle. In any case, there might be more than one mishaps or some off-base state of properly-being of extensions and flyovers is feasible now days, in an attempt to keep away from the authors used zigbee module as a battery or sensor center to reinforce accommodation and portable.

Ashwini R et al. [3] Considering that the bridge systems are key additives of the street community and important belongings for the financial system and protection of the country. Consequently, their functioning is important, but there are numerous possibilities for failure, along with deteriorating materials, underlying creation troubles and wrong load rankings. Bridges also can be affected at any given time by means of natural disaster, guy-made occasions and defective materials or absolutely with the aid of "rain and tear" in the long term. The authors supplied the structural fitness tracking solutions that joined the sensor system with wireless verbal exchange networks to become aware of potentially risky systems and recognize situations that can be properly repaired before the bridge fall.

Wendi Gao and Menacing [4] Built a bridge monitoring and IoT warning generation gadget to warn with buzzer and car-barrier whilst symptoms of bridge fall apart arise. This device will assist in future lowering principal screw ups. This machine will keep many human beings's lives and even lack of land.

Y. R. Risodkar and A.S. Pawar [5] Implemented deep gaining knowledge of in cellular and wireless networking, the authors bridged the gap among deep mastering and studies on mobile and wi-fi networks by means of offering a detailed survey of the intersections between deep getting to know and cell networks. This survey brought the brand new approach to deep studying strategies with future networking packages. Y. Risodkar, A.S. Pawar[5] addressed various strategies and frameworks to promote the successful deployment of deep statistics gaining knowledge of on cell systems.

Chaoyun Zhang [6] Proposed a bridge safety monitoring system based on IoT, which introduced the developments in sensor technology and also added an integrated bridge fitness tracking unit in real time. This actual time fitness monitoring machine has been adopted through numerous extensive span bridges in Korea and in Japan. A bridge protection monitoring tool is included into this tracking program. This examine tested the fast distance TCP/IP wi-fi community, and also CDMA for lengthy distance data verbal exchange.

Charushila D [7] Advances at the time of Wi-Fi sensor systems for connect insurance observing and Structural Health Monitoring (SHM) structures which have set up astounding capacity for connect response, investigation of current auxiliary circumstances, expectation of normal outcomes, assurance information and approval of design speculations. Remote sensor systems (WSNs) that have the benefits of bringing down SHM machine execution expenses further to improving the general execution of realities preparing advance to be an engaging valuable useful asset for conventional fastened sensor structures.

III. Requirement of Bridge Monitoring System

Considered that bridges and flyovers are one of the pillars for human civilization which is supplied as an extended lifestyles cycle. In any case, there might be more than one mishaps or a few off-base country of properly-being of extensions and flyovers is possible even now days, in an attempt to avoid the authors used zigbee module as a battery or sensor center to enhance lodging and portable. Plan and develop an statement device targeted on a remote sensor shape to complete the properly-being end of extensions, flyovers and railroad stretches.

This paper introduces a unique idea and builds up for large style of bridge-watching and flyovers connections. The checking out gadget need to follow a 3-level circulated shape that integrates focal server, smart hub receiving, and nearby controller. To finish the energy of scaffolds, flyovers and railroad stretches, the extension gazing device is worth of observe.

IV. Implementation Constraints in building Observation Framework for Bridge Monitoring System

Fig 1 presents a 3-degree conveyed observation device structure for sizeable range of communication assessments that integrates local server, clever procurement platform and nearby controller. Stable hubs are placed above a scaffold. One Neighbourhood Manager supervises all procurement hubs. Each hub to be obtained has 3 channels that could check dislodging, accelerate and extension heap. A 24bit A / D Converter ADS1278 is used to reap high accuracy records. In comparison to standard method, there are highlights to the proposed engineering. The procurement center is a sensible device that is predicated at the ground-breaking processor Raspberry Pi. In the processor itself, the mission of managing sensor esteems and dissecting will assuage heap of focal server and decrease interest inside the switch velocity of correspondence.

Second, Internet of things is used to provide sufficient transfer pace to steady facts transmission between neighbourhood controller and focal server. On any Flyover or railroad connections the clever checking out gadget has run on a massive range. Running consequences display the proposed gadget is everyday and beneficial. The intention of the challenge is to boom a multi-use a ways off scaffold manipulate tool for the simultaneous association of accelerometers, burden and vibration the usage of an IOT concept limited with the resource of a flexible software.

Block Diagram

X-Loading cell to test Train 's burden

Y – Accelerometer / vibrator for bridge jerks to stumble upon.

Z-Sensors Flex or Bend

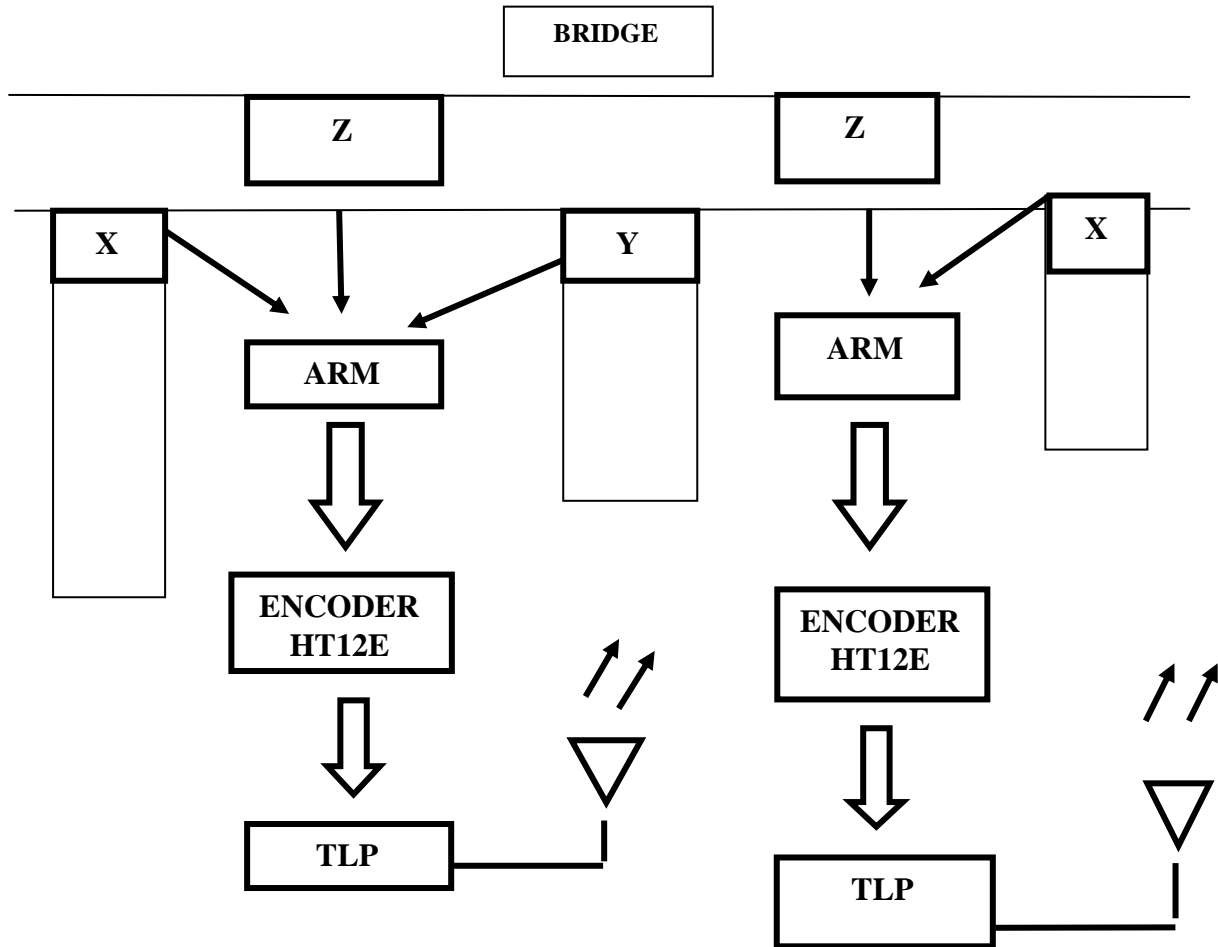


Fig. 1: Block Diagram of Three Level Observation Framework

V. Hardware Set up of Bridge Monitoring System using Raspberry Pi

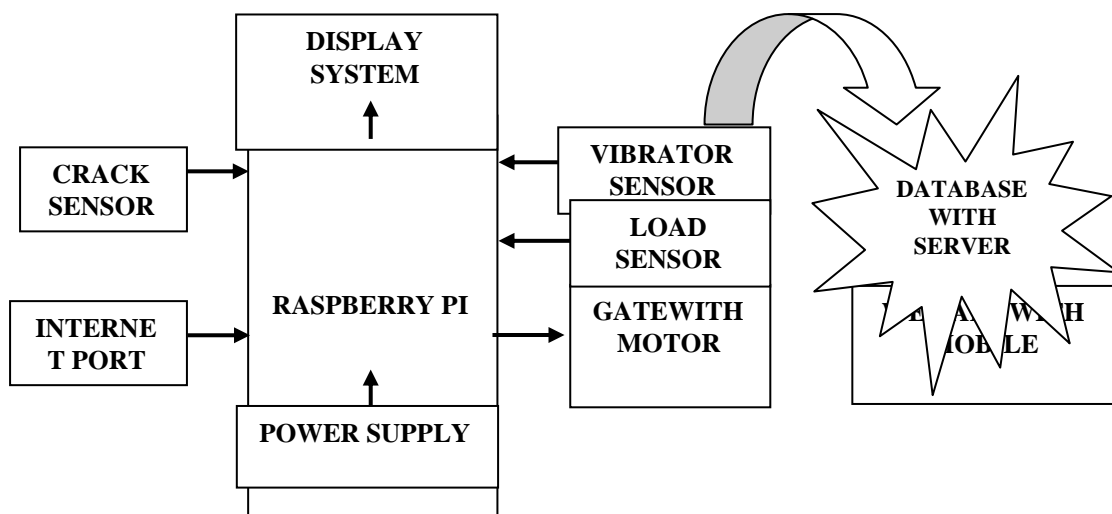


Fig 2. Hardware Set up of Bridge Monitoring System using Rapserry Pi

Hardware set up of Bridge Monitoring System using Raspberry Pi is depicted in Fig.2.

This framework is sued for amassing sensor records, and the controller collects the reputation and moves it via a long way off machine. This data is sent to the server, and the Arduino is broke down. Data is despatched to the organization region and a caution message is despatched to the machine of the director. Such sensors would be responsible for the character of the stack at the stage, the load of the water, the significance of the rising water inside the sea. The seen data is a bewildering message. For the most point of view the contraptions that produce yield are implied as actuators (sound ringer). Both sensor and actuator are using and tremendous alluded to as a transducer. The electric filled sign is to be sent to the Arduino. The server can get records from a microcontroller the utilization of Wi-Fi module, along these lines, with everything taken into account the information may be moved direct to the net application the use of a servlet. A servlet is a chunk of a Java program strolling around a Web server. Servlets increment and answer to Web client wishes, normally through HTTP, the Hyper Text Transfer Protocol.

VII. Conclusion

This paper introduces a novel 3-level observation mechanism for bridge monitoring system that offers an accurate way of sharing information between the server and the raspberry pi controller. In the event that bridge feels some vibration, the status is automatically transferred to the server for swift action. This three-level observation system is used to ensure bridge protection and to provide mechanism for periodic bridge and fly-over monitoring. If a issue is detected then traffic can be stopped at the particular bridge. Loaded vehicles can be stopped from using the load indicator, when driving on the weakened bridge. In the initial stage itself, cracks in the bridges due to wear and tear due to long service life can be monitored. All sensor information can be obtained using sensors, which can be useful for future decision-making about periodic maintenance.

References

- [1] Ms.Arohi. D. Sonawane, Ms.Pooja. P. Vichare, Mr.Shubham. S. Patil, and Mr.Nitin. P. Chavande, "Bridge Monitoring System Using IOT", Journal of Advances in Electrical Devices Volume 3, Issue 2, 2018.
- [2] VarshaKusal, Amrita Argade, SanikaChiplunkar, RohiniKumbhar, Swati A. Khodke, "Bridge Monitoring and Alert Generation System Using IOT", International Journal of Advance Research, Ideas and Innovations in Technology, 2017.
- [3] Ashwini R, Sneha Shivan and Mesta, Varsha A U, Ravichandran G, Haritha K, Sivaraman "Bridge Monitoring System Using Wireless Networks" IJARJJE-ISSN Vol 2 Issue 5 2017.

- [4] Wendi Gao; MeinaSong, "Design and Implement of SOA-based Bridge Monitoring System Data Layer," e-Business Engineering (ICEBE), 2012 IEEE Ninth International Conference on, pp.123 - 127, 9-11 Sept. 2012.
- [5] Y. R. Risodkar; A.S. Pawar," A Survey: Structural health monitoring of bridge using WSN" 2016 International Conference on Global Trends in Signal Processing, Information Computing and Communication.
- [6] Chaoyun Zhang, Paul Patras, and HamedHaddadi, "Deep Learning in Mobile and Wireless Networking" 2019 IEEE communications surveys and tutorial.
- [7] Charushila D. Bhadane I, Sonali K. Borade¹, Priti M. Borse¹, Prof. R. S. Pagar², Prof. D. Y. Thorat, "IoT based bridge safety monitoring system" International Journal of Scientific Research in Computer Science, Engineering and Information Technology IJSRCSEIT | Volume 3 | Issue 1 | ISSN : 2456-3307, 2018

Authors Profile



Mrs.Rajeshwari S completed her Bachelor of Engineering in Information Science & Engineering from Bahubali College of Engineering, Karnataka, India. She has completed her Master of Technology in South east Asian College of Engineering & Technology from VTU, Karnataka, India. She is a faculty member of the department of Information Science and Engineering, Rajarajeswari College of Engineering, Bangalore. She has 6 years of experience in teaching. Her field of Interest includes Digital Image Processing, Web Technology, IOT and Data mining. We thank KSCST for supporting us with the financial Assistance to carry this research work.



Dr.V.P.GladisPushparathi completed her Bachelor of Technology in Information Technology from Cape Institute of Technology, Tirunelveli, India. She has completed her Master of Technology in Information Technology from M.S.University, Tirunelveli, India. She obtained her Ph.D from Anna University, Chennai, India. She is a faculty member of the department of Computer Science and Engineering, Velammal Institute of Technology, Chennai. She has 13 years of experience in teaching and research. She has completed one major and three minor funded projects for various

government funding agencies. She has organized more than 10 national and state level sponsored technical events such as STTPs, Seminars and FDPs. She has received best faculty award from Nehru Group of Institutions. Her field of Interest includes Digital Image Processing, Soft Computing, IOT and Data mining.



Sushmitha H B completed her Bachelor of Engineering in Information Science and Engineering from Visveswayara Technological University, Belagavi in 2020. She has undergone industry Internship at - Contriver in 2019.. She is one of the organizing committee members of International Women's Day Celebration on 8th March 2019 organized by Rajarajeswari Groups of institutions, Bangalore.



Spoorthi H completed her Bachelor of Engineering in Information Science and Engineering from Visveswayara Technological University, Belagavi in 2020. She has undergone industry Internship at Contriver in 2019.. She is one of the organizing committee members of International Women's Day Celebration on 8th March 2019 organized by Rajarajeswari Groups of institutions, Bangalore.